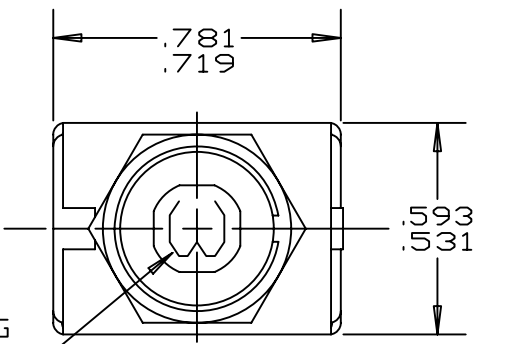
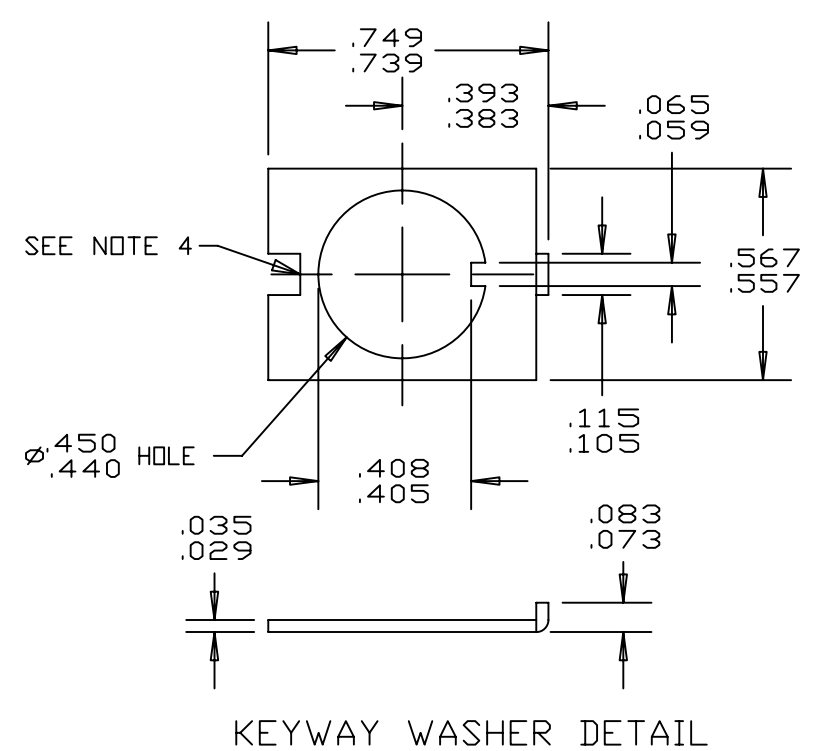


Property of
Sensata Technologies

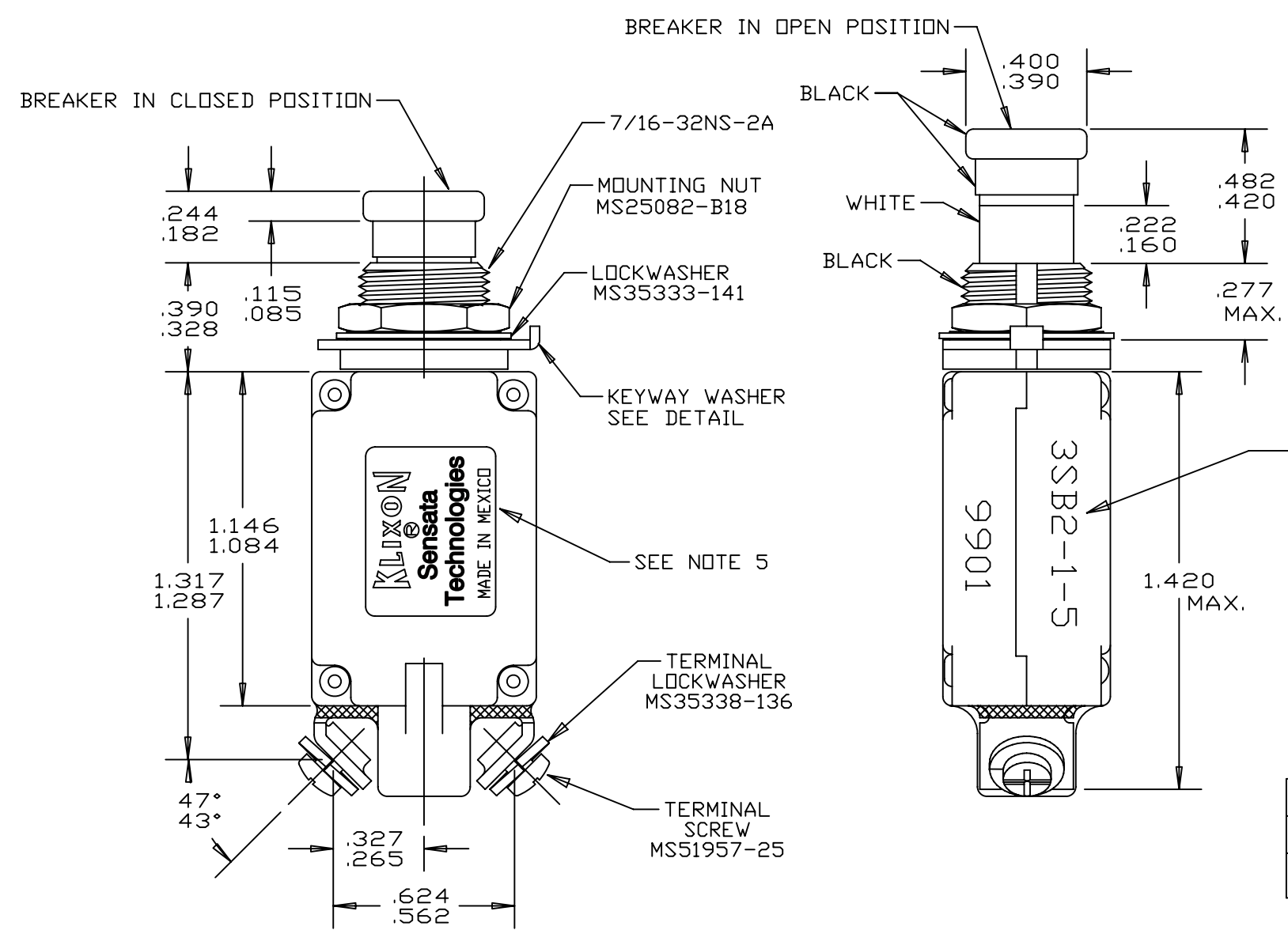
ZONE	REV.	REVISION DESCRIPTION	ECN NO.	DATE
	M	MOD LOGO BOX; PD	ECN0036320	28-JUN-2007



PERFORMANCE CHARACTERISTICS

VIBRATION	5 G'S MAXIMUM 50-500 HZ
SHOCK	5 G'S MAXIMUM
ACCELERATION	5 G'S MAXIMUM
ENDURANCE	5000 MECHANICAL CYCLES, NO LOAD
	5000 ELECTRICAL TRIP CYCLES AT 28 VDC
	(POST ENDURANCE, MAXIMUM TRIP TIME IS 5 SECONDS)
OPERATING FORCES	5LBS MAXIMUM, PULLOUT AND RESET
WEIGHT	30 GRAMS MAXIMUM

CUSTOMER WILL SPECIFY THE AMP RATING THEY WOULD LIKE TO HAVE INDICATED ON THE PUSHBUTTON. EXAMPLE, 3SB2-1-5 SIGNIFIES A 5 AMP RATING ON THE PUSHBUTTON. A 3SB2-1-B SIGNIFIES A BLANK RATING INSERT. A 3SB2-1-N SIGNIFIES NO RATING INSERT.



PRINT PART NO. AS SPECIFIED ON PARTS LIST AND DATE CODE ON KEYSIDE OF DEVICE PER 10588-285

CALIBRATION AT 25°C

3SB2-1	200ma	3 SECONDS
PART NO.	MAX. CURRENT DRAW AT 28 VDC	MAX. TRIP TIME

NOTES:

- ALL MOUNTING HARDWARE HAS A DULL BLACK FINISH.
- CIRCUIT BREAKERS ARE SUITABLE FOR MOUNTING IN A 1/8" THICK PANEL OR LESS.
- EPOXY SURFACES ARE NON-DIMENSIONED, ENVELOPE DIMENSIONS DO NOT APPLY TO THESE PROJECTED EPOXY SURFACES.
- NON FUNCTIONAL NOTCH ON THE BACK OF THE KEYWAY WASHER IS OPTIONAL
- COUNTRY OF ORIGIN IS SHOWN FOR ILLUSTRATION PURPOSES ONLY. COUNTRY OF ORIGIN TO BE IDENTIFIED AS REQUIRED.
- TERMINALS MOUNTING HARDWARE SHOWN FOR ILLUSTRATION PURPOSE.

FOR REFERENCE ONLY, CHECK LATEST REVISION BEFORE USE. PARTS MADE TO THIS PRINT MUST CONFORM TO E9898 REV. E		529 PLEASANT STREET P.O. BOX 2964 ATTLEBORO, MA 02703	
DRAWN CHAS. FLEURANT DATE 21-JUN-1994 ENGINEER K.B. GASSER DATE 21-JUN-1994 APPROVED	SENSATA TECHNOLOGIES PROPRIETARY AND CONFIDENTIAL. NEITHER THIS PRINT NOR THE INFORMATION CONTAINED HEREON IS TO BE USED AGAINST THE INTERESTS OF SENSATA TECHNOLOGIES OR AGAINST THE INTERESTS OF ANY OF ITS AFFILIATED COMPANIES OR WHOLLY OWNED SUBSIDIARIES.		TITLE
DATE	APPROVED	UNLESS OTHERWISE SPECIFIED DIMENSIONS ARE IN INCHES TOLERANCES DECIMALS ANGLES	3SB2 STYLE CIRCUIT BREAKER PUSH-PULL ENVELOPE DRAWING
DATE	DO NOT SCALE DRAWING	THIRD ANGLE PROJECTION	SIZE C DWG NO. 3SB2 REV. M
			SCALE 1:1 AUTOCAD SHEET 1 OF 1

DEVICE: PROJECT:3457 1