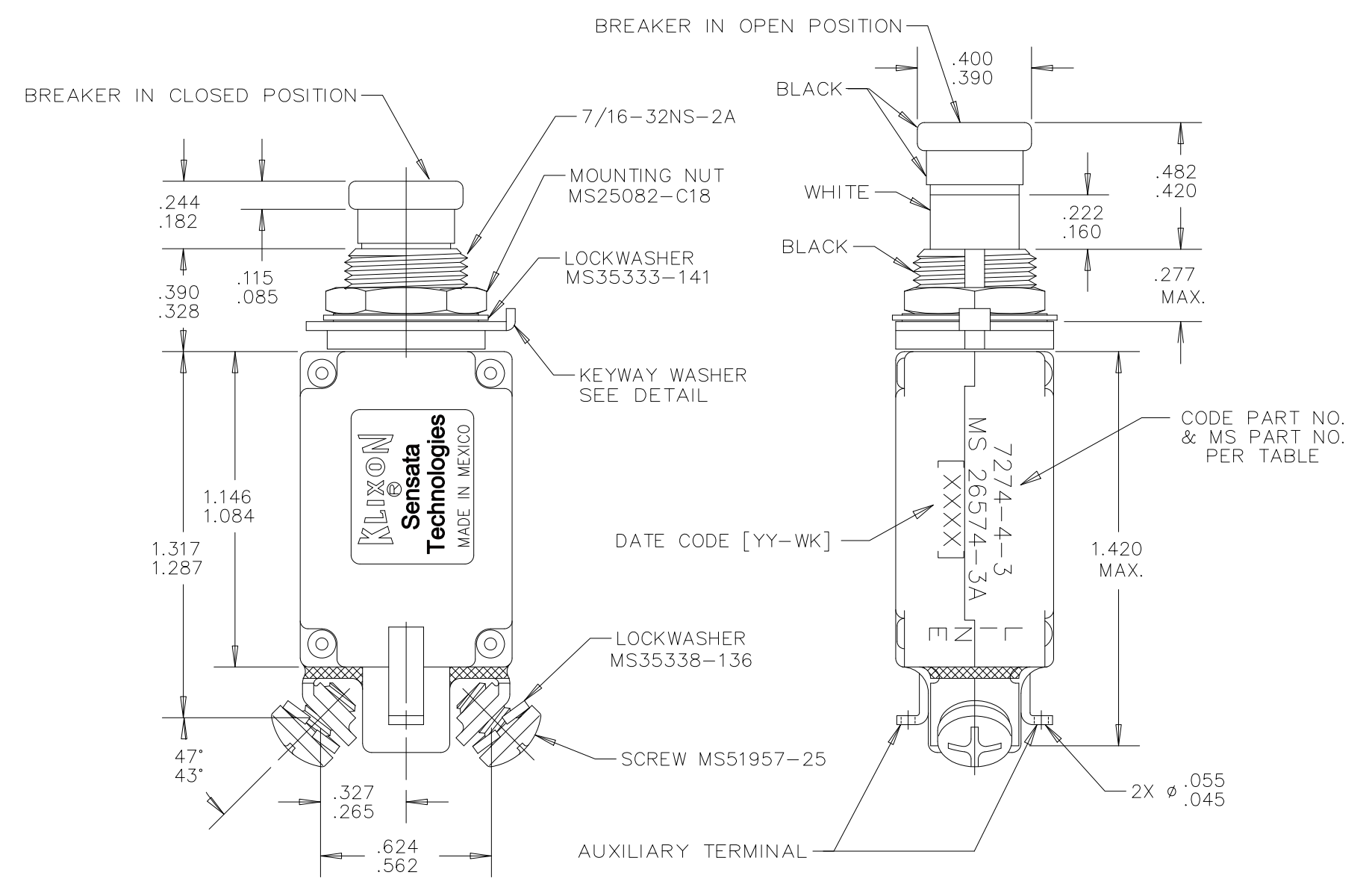
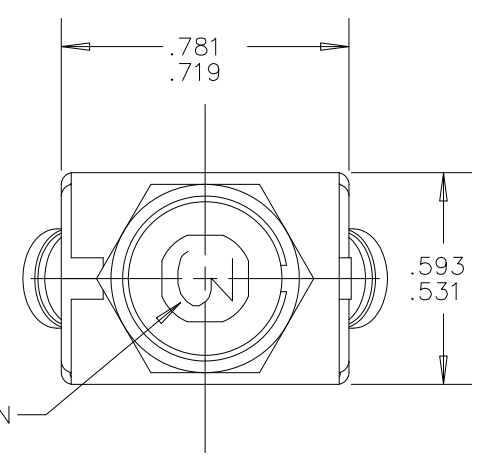
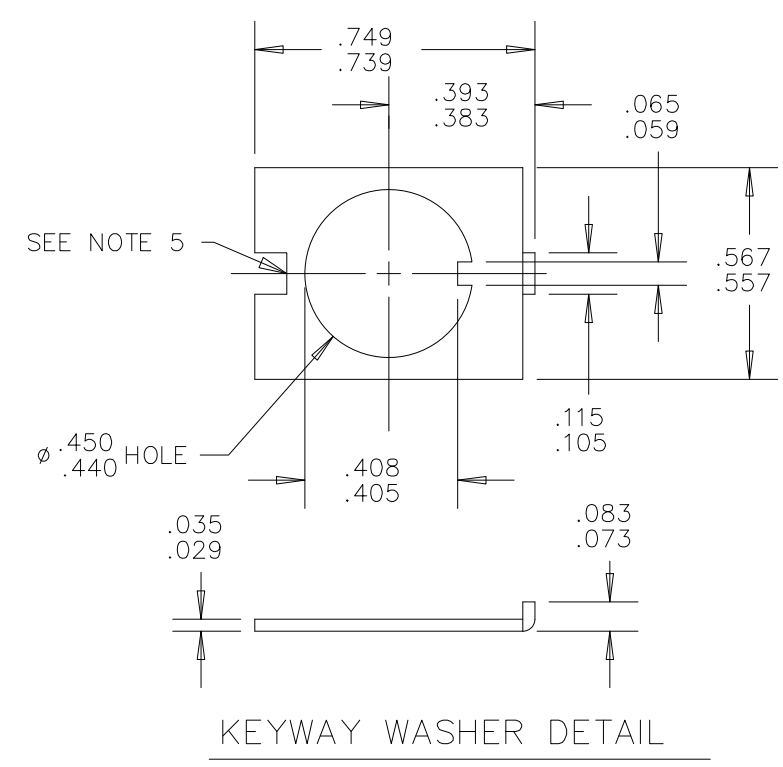
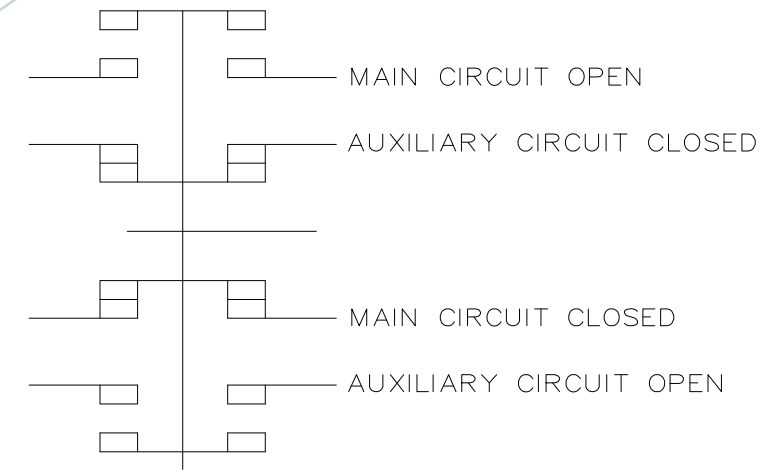


Property of
Sensata Technologies



- NOTES:
- ALL MOUNTING HARDWARE HAS A DULL BLACK FINISH.
 - CIRCUIT BREAKERS ARE SUITABLE FOR MOUNTING IN A 1/8" THICK PANEL OR LESS.
 - EPOXY SURFACES ARE NON-DIMENSIONED, ENVELOPE DIMENSIONS DO NOT APPLY TO THESE PROJECTED EPOXY SURFACES.
 - 1/2 THRU 10 AMP CIRCUIT BREAKERS ARE QUALIFIED TO MS 26574.
 - NON FUNCTIONAL NOTCH ON THE BACK OF THE KEYWAY WASHER IS OPTIONAL.
 - DATE CODE PER 10588-285.

ZONE	REV.	REVISION DESCRIPTION	ECN NO.	DATE
A2	AA	ADDED 7274-4-25 PART NO.;	ECO-059939	04-NOV-2010
A1		7274-4-15, CURRENT INTERRUPTING CAPACITY FOR 28 VDC WAS "2000 AMPS";		
B3		DIMENSION 2X ø.045-.055 WAS ø.081-.019 (2-PL); GML		

PERFORMANCE CHARACTERISTICS (DETAIL PERFORMANCE PER MIL-C-5809)

- OVERLOAD CYCLING ----- 100 CYCLES AT 200% RATING
- SINUSOIDAL VIBRATION ----- 10 G'S 50-500 HZ
- MECHANICAL SHOCK ----- 30 G'S AT 11.0 MILLISECOND DURATION
- ACCELERATION ----- 10 G'S MINIMUM
- SAND AND DUST ----- 12 HOURS
- CORROSION ----- SALT SPRAY 48 HOURS
- HUMIDITY ----- 10 DAYS
- EXPLOSION PROOF ----- WHILE INTERRUPTING RUPTURE CURRENTS
- MOUNTING NUT TORQUE ----- 40 LB.-IN. MAX.

MAXIMUM OPERATING ALTITUDE: 80,000 FT. (24,384 M)

WEIGHT: 28.0 GRAMS MAX.

MAXIMUM OPERATING FORCES:
 PULL OUT ----- 5 LBS. MAX. (22.2 N)
 RESET ----- 5 LBS. MAX. (22.2 N)

ENDURANCE:

120 VAC	-----	400 HZ INDUCTIVE	-----	2500 CYCLES
120 VAC	-----	400 HZ RESISTIVE	-----	5000 CYCLES
30 VDC	-----	INDUCTIVE	-----	2500 CYCLES
30 VDC	-----	RESISTIVE	-----	5000 CYCLES
NO LOAD	-----	MECHANICAL	-----	5000 CYCLES

AUXILIARY CIRCUIT ENDURANCE

5 - 120 VAC	INDUCTIVE 2 AMP	5000 CYCLES
	RESISTIVE 3 AMP	5000 CYCLES
5 - 30 VDC	INDUCTIVE 3 AMP	5000 CYCLES
	RESISTIVE 5 AMP	5000 CYCLES

CALIBRATION:

AMBIENT TEMP.	HOLD	TRIP	200%	500%	1000%
+25°C (+77°F)	115% RATING	150% RATING	2-20 SEC. .16-1.2 SEC.	.046-0.8 SEC.	
-55°C (-67°F)	135% RATING	180% RATING			
+71°C (+160°F)	90% RATING	130% RATING			

PART NO.	MS PART NO.	AMP RATING	MAXIMUM VOLTAGE DROP	CURRENT INTERRUPTING CAPACITY	
				120 VAC, 400 HZ	28 VDC
7274-4-1/2	MS 26574-1/2A	1/2	2.00	UNLIMITED	UNLIMITED
7274-4-3/4	MS 26574-3/4A	3/4	1.45	UNLIMITED	UNLIMITED
7274-4-1	MS 26574-1A	1	1.10	UNLIMITED	UNLIMITED
7274-4-1 1/2	MS 26574-1-1/2A	1 1/2	0.75	UNLIMITED	UNLIMITED
7274-4-2	MS 26574-2A	2	0.75	800 AMPS	UNLIMITED
7274-4-2 1/2	MS 26574-2-1/2A	2 1/2	0.70	800 AMPS	UNLIMITED
7274-4-3	MS 26574-3A	3	0.55	800 AMPS	UNLIMITED
7274-4-4	MS 26574-4A	4	0.45	800 AMPS	UNLIMITED
7274-4-5	MS 26574-5A	5	0.35	800 AMPS	UNLIMITED
7274-4-7 1/2	MS 26574-7-1/2A	7 1/2	0.30	500 AMPS	2000 AMPS
7274-4-10	MS 26574-10A	10	0.28	500 AMPS	2000 AMPS
7274-4-15		15	0.25	500 AMPS	800 AMPS
7274-4-20		20	0.25	500 AMPS	800 AMPS
7274-4-25		25	0.25	500 AMPS	800 AMPS

FOR REFERENCE ONLY, CHECK LATEST REVISION BEFORE USE. PARTS MADE TO THIS PRINT MUST CONFORM TO E9898 REV. E		529 PLEASANT STREET P.O. BOX 2964 ATTLEBORO, MA 02703	
DRAWN TOM DAIL DATE 14-JAN-1991	SENSATA TECHNOLOGIES PROPRIETARY AND CONFIDENTIAL. NEITHER THIS PRINT NOR THE INFORMATION CONTAINED HEREON IS TO BE USED AGAINST THE INTERESTS OF SENSATA TECHNOLOGIES OR AGAINST THE INTERESTS OF ANY OF ITS AFFILIATED COMPANIES OR WHOLLY OWNED SUBSIDIARIES.	TITLE 7274-4 STYLE CIRCUIT BREAKER PUSH-PULL, TRIP FREE ENVELOPE DRAWING	
ENGINEER K.B. GASSER DATE 04-NOV-1992	INTERPRET DIMENSIONING AND TOLERANCING PER ASME Y14.5-2009, UNLESS OTHERWISE SPECIFIED DIMENSIONS ARE IN INCHES. TOLERANCES DECIMALS ANGLES	SIZE C	DWG NO. 7274-4
APPROVED DATE	DO NOT SCALE DRAWING	THIRD ANGLE PROJECTION	REV. AA
SCALE 1:1		AUTOCAD	SHEET 1 OF 1