

REVISIONS						
ZONE	LTR	DEVICE: 3TC	DESCRIPTION	PROJ.: 1294	DATE	APPROVED
	T		UPDATED PER MARKUP.	ECN0025542 PAF	1-3-06	DM

PERFORMANCE CHARACTERISTICS

DETAIL PERFORMANCE PER MIL-C-5809

OVERLOAD CYCLING	-----	100 CYCLES AT 200% RATING
VIBRATION	-----	10 G'S MINIMUM 50-500 HZ
MECHANICAL SHOCK	-----	50 G'S
ACCELERATION	-----	10 G'S
SAND AND DUST	-----	12 HOURS
CORROSION	-----	SALT SPRAY 48 HOURS
HUMIDITY	-----	10 DAYS
EXPLOSION PROOF	-----	WHILE INTERRUPTING RUPTURE CURRENTS

ENDURANCE:	120 VAC	400 HZ INDUCTIVE	2500 CYCLES
	28 VDC	400 HZ RESISTIVE	5000 CYCLES
	MECHANICAL	RESISTIVE	5000 CYCLES
		NO LOAD	10000 CYCLES

CALIBRATION:	15 AMP THRU 35 AMP					
		MIN. ULT. TRIP	MAX. ULT. TRIP	200%	500%	1000%
	+25°C, +77°F	115% RATING	138% RATING	4-20 SEC.	.40-1.7 SEC.	.10-.40 SEC.
	-55°C, -65°F	115% RATING	165% RATING	6-35 SEC.	.55-3.0 SEC.	.15-.70 SEC.
	+121°C, +250°F	85% RATING	138% RATING	2-15 SEC.	.25-1.0 SEC.	.06-.25 SEC.

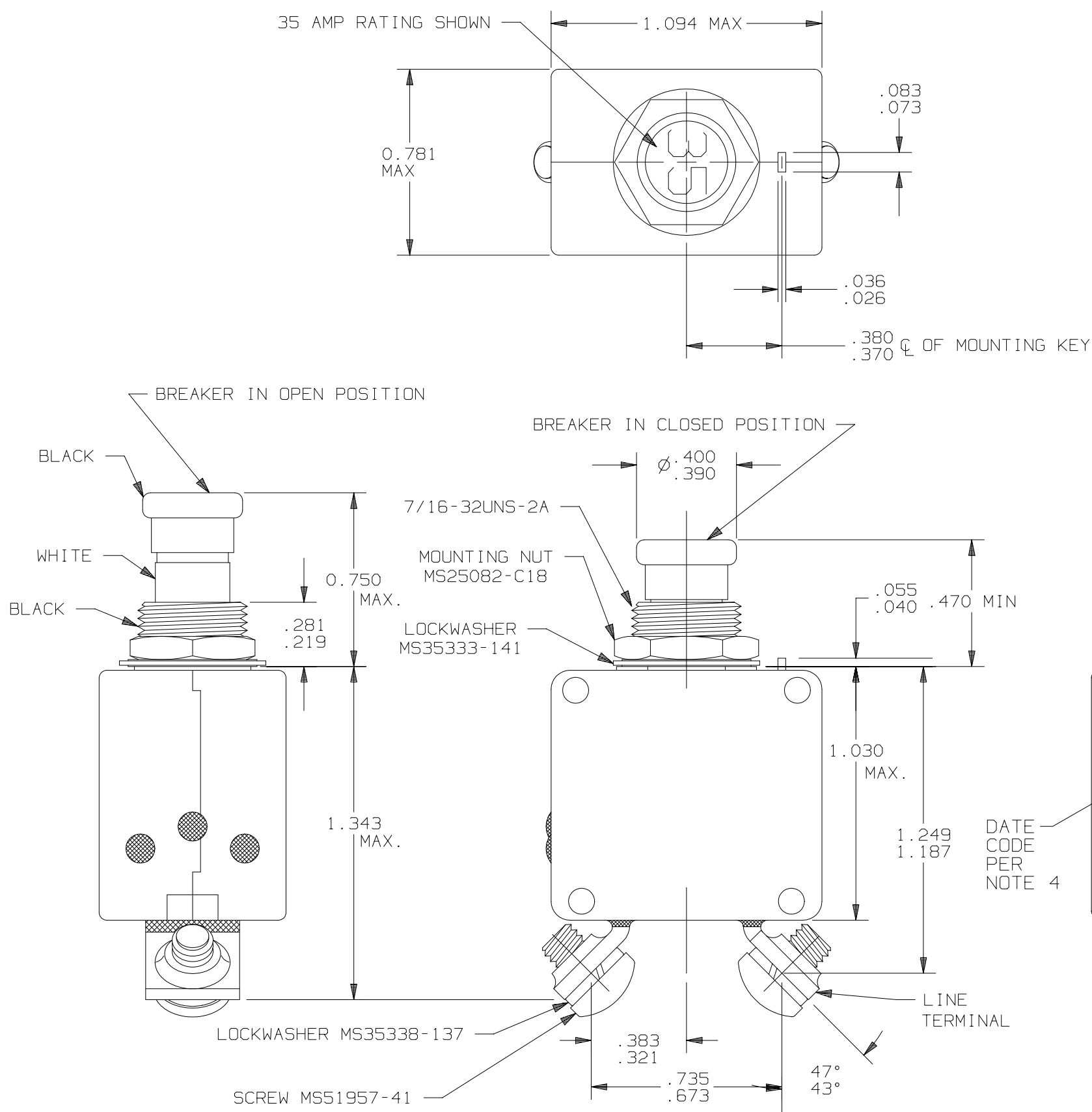
RUPTURE:	15 THRU 35 AMP	120 VAC, 400 HZ	2000 AMPS
	15 THRU 35 AMP	28 VDC	6000 AMPS

MAXIMUM OPERATING FORCES		
PULL OUT	-----	5 LBS. MAX. (22.2 N)
RESET	-----	5 LBS. MAX. (22.2 N)

OPERATING ALTITUDE: 70,000 FT. (21,000 M)

WEIGHT: 37.0 GRAMS MAX. (.082 LBS.)

VOLTAGE DROP:		
15 AMP	-----	0.25 VOLTS MAX.
20 AMP	-----	0.25 VOLTS MAX.
25 AMP	-----	0.25 VOLTS MAX.
30 AMP	-----	0.25 VOLTS MAX.
35 AMP	-----	0.25 VOLTS MAX.



T.I. PART NO.	CUSTOMER PART NO.
3TC2-35	MS14105-35
3TC2-30	MS14105-30
3TC2-25	MS14105-25
3TC2-20	-----
3TC2-15	-----

NOTES:

1. EPOXY SURFACES ARE NON-DIMENSIONED. ENVELOPE DRAWING DIMENSIONS DO NOT APPLY TO THESE PROJECTED EPOXY SURFACES.
2. TERMINAL AND MOUNTING HARDWARE MAY BE PACKAGED RATHER THAN INSTALLED.
3. COUNTRY OF ORIGIN TO BE IDENTIFIED AS REQUIRED.
4. DATE CODE PER 10588-285.
5. ALL MARKINGS TO BE MADE IN APPROXIMATE POSITIONS SHOWN, WITH BLACK INK PER 12506-70: 3/32 INCH HIGH CHARACTERS.

THIS IS A CAD DRAWING. THE GEOMETRY IN THE ASSOCIATED CAD COMPUTER FILE IS DIMENSIONALLY ACCURATE. WHEN DRAWING IS BEING REVISED, THE GEOMETRY MUST BE UPDATED IN ALL VIEWS AND ON ALL SHEETS.			
UNLESS OTHERWISE SPECIFIED DIMENSIONS ARE IN INCHES	DRAWN TOM DAIL	DATE 3-6-90	TEXAS INSTRUMENTS ATTLEBORO, MASSACHUSETTS 02703 KLIxon CONTROL PRODUCTS DIVISION
TOLERANCE ON FRACTIONS DECIMALS ANGLES	ENGINEER J. CHAMMAS	3-6-90	
	APPROVED		TITLE
	APPROVED J. CHAMMAS	4-19-90	AMBIENT COMPENSATED, HIGH TEMP. CIRCUIT BREAKER PUSH-PULL, TRIP FREE ENVELOPE DRAWING
MATERIAL			SIZE CODE IDENT NO.
			C 82647 3TC2
	SIGNATURES ON FILE. REFER TO ELECTRONIC CHANGE NOTICE.		SHEET 1 OF 1