

ZONE	REV.	REVISION DESCRIPTION	ECN NO.	DATE
L		ADD 40A RATING; PD	ECO-080721	18-OCT-2012

- NOTES:
- EPOXY SURFACES ARE NON-DIMENSIONED. ENVELOPE DIMENSIONS DO NOT APPLY TO THESE EPOXY SURFACES.
  - TERMINAL AND MOUNTING HARDWARE MAY BE PACKAGED RATHER THAN INSTALLED.
  - COUNTRY OF ORIGIN IS SHOWN FOR ILLUSTRATION PURPOSES ONLY. COUNTRY OF ORIGIN WILL BE IDENTIFIED AS REQUIRED.
  - DATE CODE PER 10588-285.
  - MARK IN APPROXIMATE POSITION SHOWN IN BLACK INK PER 12506-70.
  - VOLUME: 2.4859 CUBIC INCHES

**PERFORMANCE CHARACTERISTICS**

DETAIL PERFORMANCE PER prEN2665-001 AND prEN2665-004.

VIBRATION	.....	CURVE 'J' OF EUROCAE ED-14B, 3 G'S, 2000 HZ
MECHANICAL SHOCK	.....	50 G'S
CORROSION	.....	SALT SPRAY 48 HOURS
HUMIDITY	.....	48 HOURS

ENDURANCE:

115 VAC MECHANICAL	400 HZ INDUCTIVE NO LOAD	2500 CYCLES	5000 CYCLES
SINGLE * OR THREE PHASE CALIBRATION:	20 AMP THRU 60 AMP		
	MIN. ULT. TRIP	MAX. ULT. TRIP	
+23°C (+73°F)	110% RATING	145% RATING	200% (SEC.)
+70°C (+158°F)	105% RATING	145% RATING	3 POLES / 1 POLE
+90°C (+194°F)	100% RATING	145% RATING	2-20 / 2-22
-55°C (-67°F)	110% RATING	145% RATING	500% (SEC.)
			3 POLES / 1 POLE
			0.15-4 / 0.15-5.2
			1000% (SEC.)
			3 POLES / 1 POLE
			0.05-1.0 / 0.06-1.3

SHORT CIRCUIT RESISTANCE:

20 AMP THRU 60 AMP	115 VAC, 400 HZ	1500 AMPS RMS
--------------------	-----------------	---------------

OPERATIONAL FORCES:

PULL OUT	.....	5 - 45 N (1.1 - 10.1 LBS.)
RESET	.....	20 - 80 N (4.5 - 18 LBS.)

OPERATING ALTITUDE: 15,000 M (49,200 FT.)

WEIGHT INCLUDING CONNECTION HARDWARE:

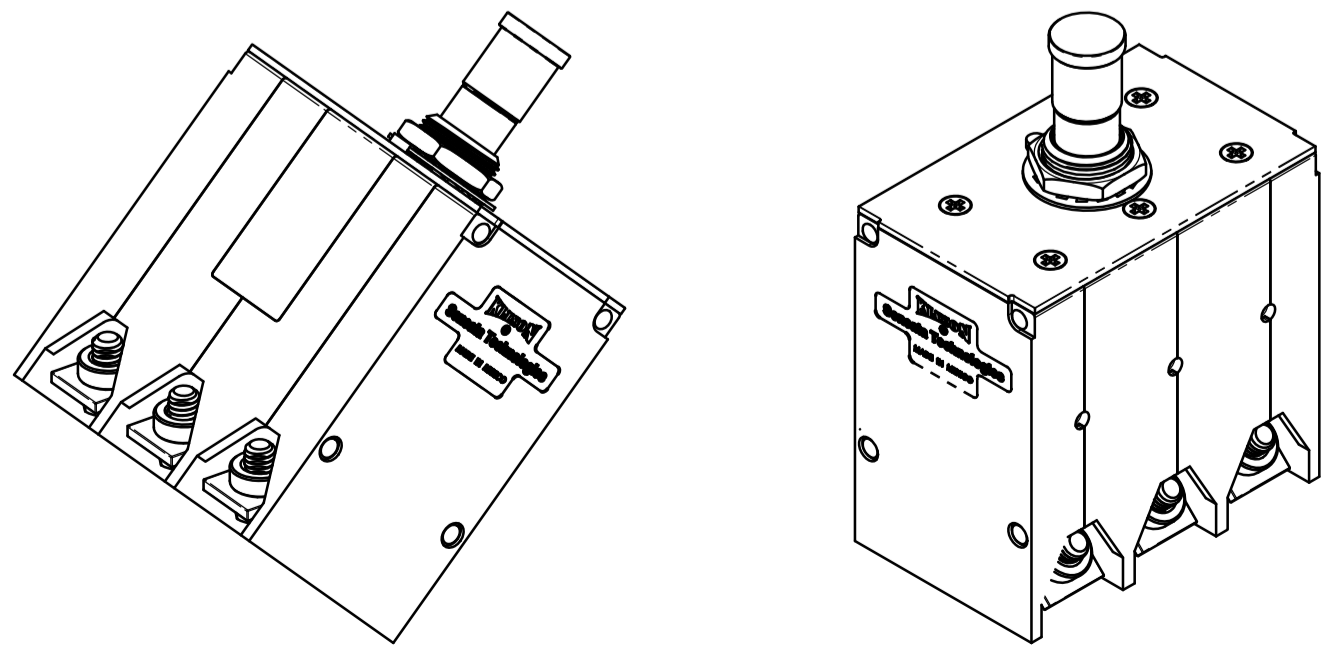
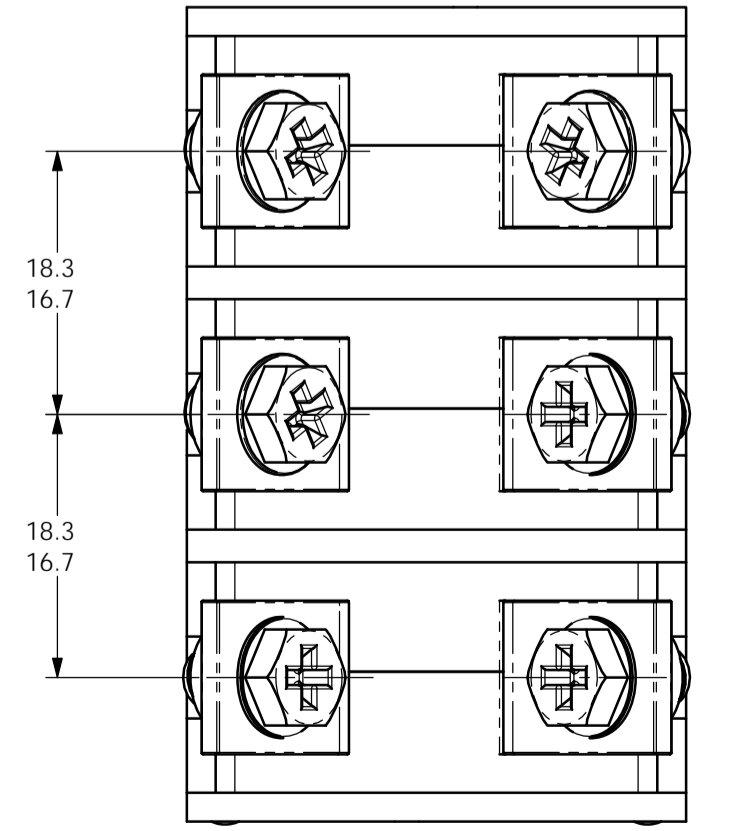
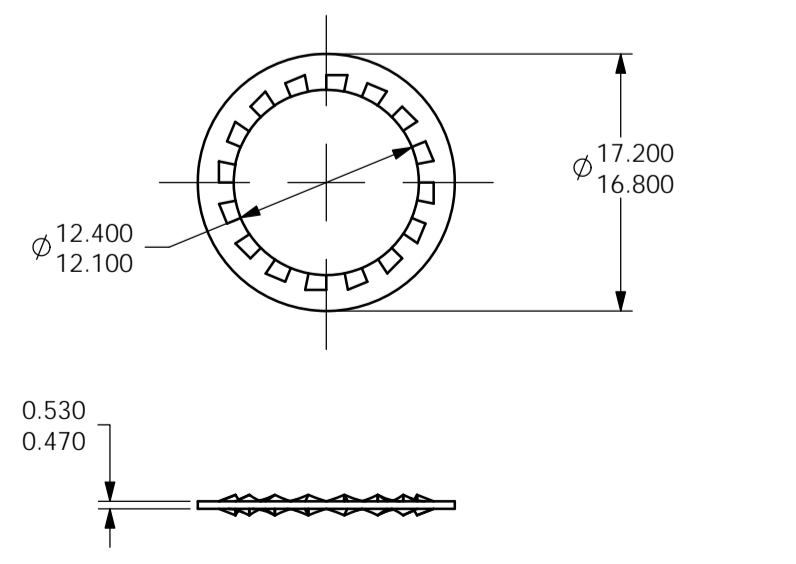
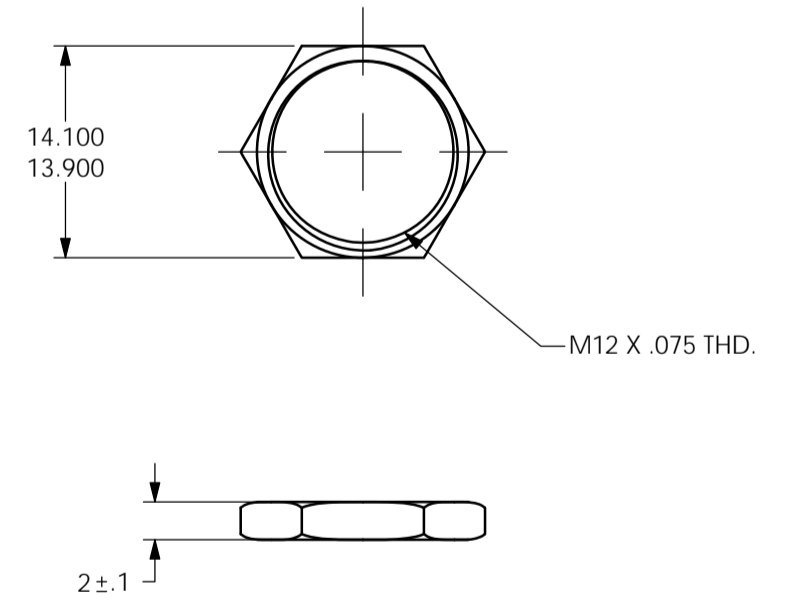
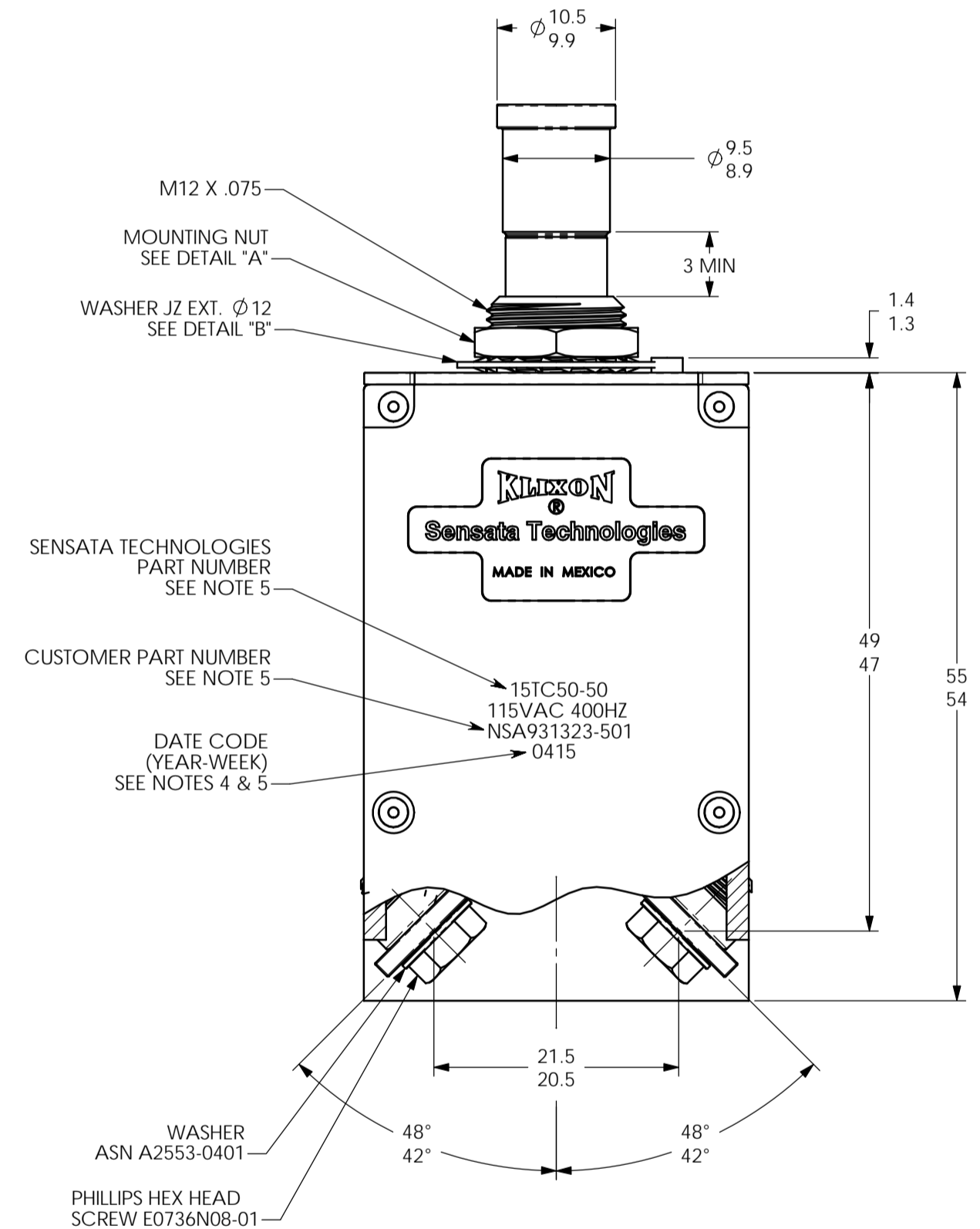
175.0 GRAMS (0.386 LBS.) MAX.	
130.0 GRAMS (0.287 LBS.) NOMINAL	

VOLTAGE DROP:

20 AMP	.....	0.150 VOLTS MAX.
25 AMP	.....	0.150 VOLTS MAX.
30 AMP	.....	0.150 VOLTS MAX.
35 AMP	.....	0.150 VOLTS MAX.
40 AMP	.....	0.120 VOLTS MAX.
50 AMP	.....	0.120 VOLTS MAX.
60 AMP	.....	0.120 VOLTS MAX.

\* SINGLE PHASE MAXIMUM ULTIMATE TRIP VALUES APPLY WITH OTHER TWO PHASES CARRYING 100% OF RATED CURRENT.

SENSATA PART NO.	CUSTOMER PART NO.	WITHOUT TERMINAL HARDWARE
15TC50-20	NSA931323-200	NSA931323-200A
15TC50-25	NSA931323-250	NSA931323-250A
15TC50-30	NSA931323-300	NSA931323-300A
15TC50-35	NSA931323-350	NSA931323-350A
15TC50-40	NSA931323-400	NSA931323-400A
15TC50-50	NSA931323-501	NSA931323-501A
15TC50-60	N/A	N/A



FOR REFERENCE ONLY. CHECK LATEST REVISION BEFORE USE. PARTS MADE TO THIS PRINT MUST CONFORM TO E9898 REV. E.		529 PLEASANT STREET P.O. BOX 2964 ATTLEBORO, MA 02703	
DRAWN W. BENTLEY/DP DATE 24-JUL-2004	SENSATA TECHNOLOGIES PROPRIETARY AND CONFIDENTIAL. NEITHER THIS PRINT NOR THE INFORMATION CONTAINED HEREON IS TO BE USED AGAINST THE INTERESTS OF SENSATA TECHNOLOGIES OR AGAINST THE INTERESTS OF ANY OF ITS AFFILIATED COMPANIES OR WHOLLY OWNED SUBSIDIARIES.	TITLE 15TC CIRCUIT BREAKER PUSH PULL, TRIP FREE ENVELOPE DRAWING	
ENGINEER W. BENTLEY DATE 24-JUL-2004	UNLESS OTHERWISE SPECIFIED DIMENSIONS ARE IN MILLIMETERS TOLERANCES	SIZE A1	REV. L
APPROVED RICH FERNANDES DATE 24-JUL-2004	DECIMALS ANGLES	DWG NO. 15TC50	SHEET 1 OF 1
APPROVED CARLOS REGALADO DATE 24-JUL-2004	DO NOT SCALE DRAWING	SCALE 2:1	PROJECT: EX3636
THIRD ANGLE PROJECTION		DEVICE: 15TC50	PROJECT: EX3636