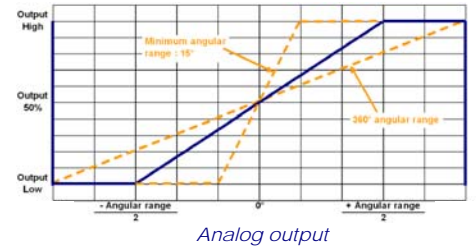
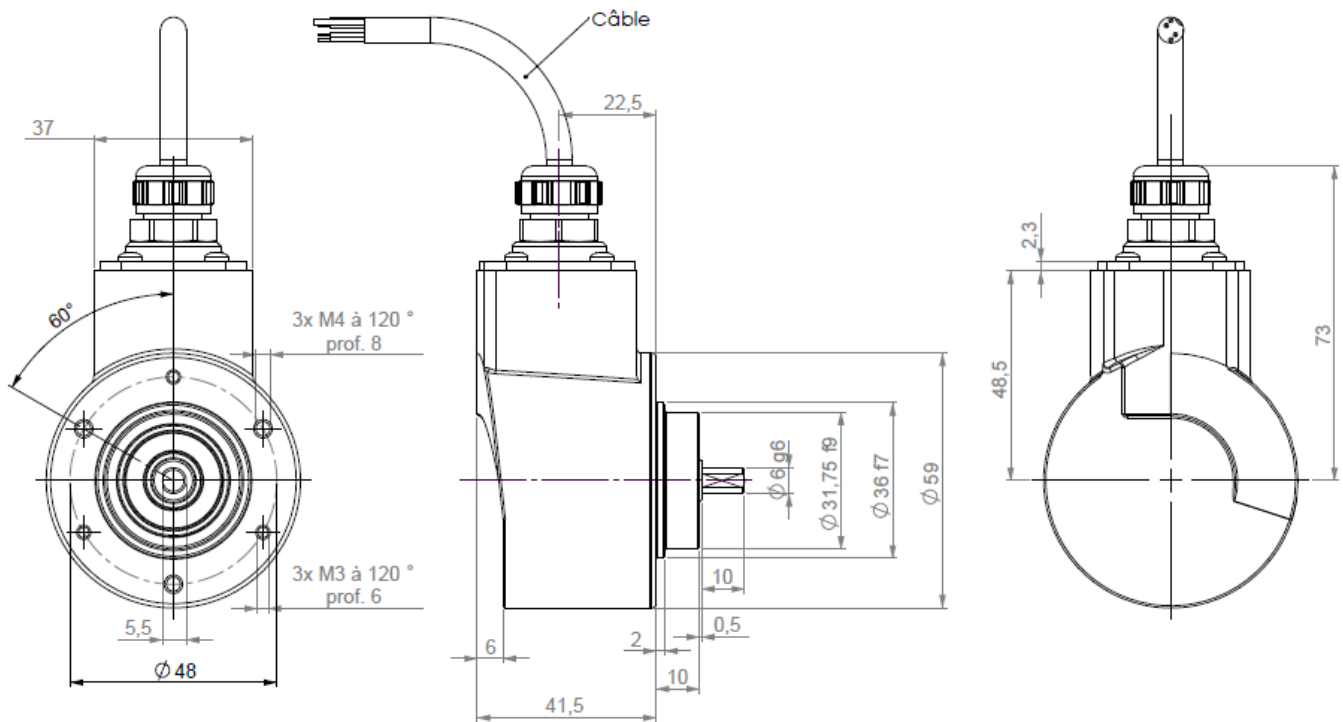


MAGNETIC ANALOG ABSOLUTE MULTI TURN ENCODERS, THM5 RANGE

- Extra-flat encoder, solid shaft 10mm or 6mm,
- Application fields : agriculture, construction, forestry vehicles, medical, solar panels...
- Robustness and excellent resistance to shocks / vibrations.
- Standard IP 65 protection (IP69K option).
- Operating temperature range: -20°C to 85°C.
- Magnetic technology.
- Universal supply 5 to 30Vdc.
- Available resolution up to 12 bits per revolution.
- Turn counting up to 16 bits.
- Also available : PWM, SSI and CANopen outputs.
- Standard M12 or cable output.



STANDARD THM5 DIMENSION



MECHANICAL DATA

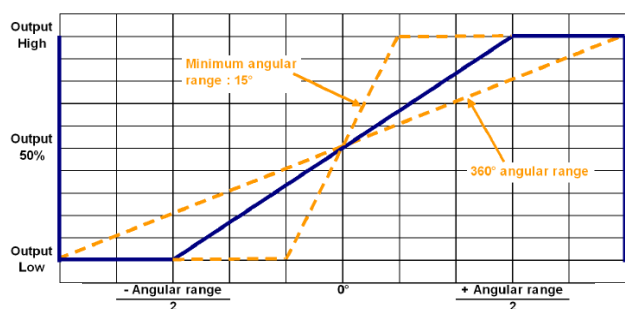
Material	Cover : steel	Shock (EN60068-2-27)	$\leq 2000 \text{ m.s}^{-2}$ (during 6 ms)
	Body: aluminium	Vibration (EN60068-2-6)	$\leq 200 \text{ m.s}^{-2}$ (10... 2 000 Hz)
	Shaft : stainless steel	EMC	EN 61000-6-4, EN 61000-6-2
Bearings	6 000 serie	Isolation	100V (1 min.)
Maximum load	Axial : 50 N	Weight (connector)	0,520 kg
	Radial : 100 N	Operating temperature	- 20 ... + 85 °C (encoder T°)
Shaft inertia	$\leq 1.10^{-6} \text{ kg.m}^2$	Storage temperature	- 20 ... + 85 °C
Torque	$\leq 4.10^{-3} \text{ N.m}$	Protection(EN 60529)	IP 65 (IP67 with flange option)
Permissible max. speed	6 000 min ⁻¹	Theoretical mechanical lifetime 10 ⁹ turns (F_{axial} / F_{radial})	
Continuous max. speed	6 000 min ⁻¹	25 N / 50 N : 99	50 N / 100 N : 12

MAGNETIC ANALOG ABSOLUTE MULTI TURN ENCODERS, THM5 RANGE

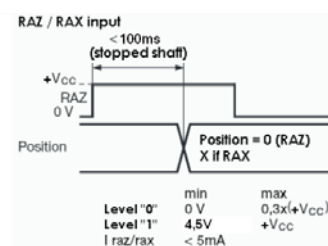
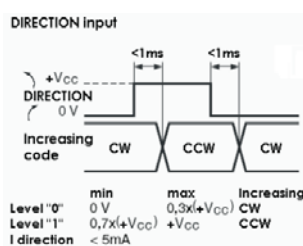
ELECTRICAL DATA

Power supply	5V or 10–30Vdc or 15–30Vdc	Introduction	< 1 s
Consumption without load	< 40mA (at 24Vdc)	Response time	< 10 ms (5L2 & 3L1 electronic) < 1ms (other electronics)
Resolution	12 bits	Advised load	>10kOhms (Voltage output) 500Ohms (current output)
Accuracy	± 0.3 %		
Repeatability	± 0.1 %		

ANALOG OUTPUT



INPUTS



Nota : Do not connect other pinouts, connect DIRECTION and RAZ to a potential (RAZ at 0V if not used)

CONNECTION

	+Vcc	0V	Analog output	RAZ - Reset	Direction	Ground
L5 Cable	Brown BN	White WH	Green GN	Blue BU	Red RD	General shielding
L6 M12 5 pinouts	2	1	3	4	5	Connector body

ORDERING REFERENCE (Contact the factory for special versions, ex : stainless steel version, connections...)

	Mechanics	Supply Output stage	Direction	Resolution	Connection	Connection orientation
THM5 : Absolute multi turn encoder	10 : 10mm solid shaft 06 : 06mm solid shaft	3L1 : 15 to 30Vdc 0..10V output 5L2 : 10 to 30Vdc 0.5..4.5V output 3L3 : 15 to 30Vdc 4..20mA output 3L4 : 15 to 30Vdc 0..20mA output 2LR : 5V +/- 5% Ratio 10...90% voltage supply	3 : Analog output with Direction input	xxxxx : Calibrated angle in degree Ex : 03600 3600°	L4 : M12 – 4 pinouts L7 : cable output	R : Radial connector R020 : Radial Cable 2m

Ex: THM5 _ 10 // 3 L1 3 // 03600 // L7 R020

Made in France

Datasheets provided by Sensata Technologies, Inc., its subsidiaries and/or affiliates (“Sensata”) are solely intended to assist third parties (“Buyers”) who are developing systems that incorporate Sensata products (also referred to herein as “components”). Buyer understands and agrees that Buyer remains responsible for using its independent analysis, valuation, and judgment in designing Buyer’s systems and products. Sensata datasheets have been created using standard laboratory conditions and engineering practices. Sensata has not conducted any testing other than that specifically described in the published documentation for a particular datasheet. Sensata may make corrections, enhancements, improvements, and other changes to its datasheets or components without notice.

Buyers are authorized to use Sensata datasheets with the Sensata component(s) identified in each particular datasheet. HOWEVER, NO OTHER LICENSE, EXPRESS OR IMPLIED, BY ESTOPPEL OR OTHERWISE TO ANY OTHER SENSATA INTELLECTUAL PROPERTY RIGHT, AND NO LICENSE TO ANY THIRD PARTY TECHNOLOGY OR INTELLECTUAL PROPERTY RIGHT, IS GRANTED HEREIN. SENSATA DATASHEETS ARE PROVIDED “AS IS”. SENSATA MAKES NO WARRANTIES OR REPRESENTATIONS WITH REGARD TO THE DATASHEETS OR USE OF THE DATASHEETS, EXPRESS, IMPLIED, OR STATUTORY, INCLUDING ACCURACY OR COMPLETENESS. SENSATA DISCLAIMS ANY WARRANTY OF TITLE AND ANY IMPLIED WARRANTIES OF MERCHANTABILITY, FITNESS FOR A PARTICULAR PURPOSE, QUIET ENJOYMENT, QUIET POSSESSION, AND NON-INFRINGEMENT OF ANY THIRD PARTY INTELLECTUAL PROPERTY RIGHTS WITH REGARD TO SENSATA DATASHEETS OR USE THEREOF.

All products are sold subject to Sensata’s terms and conditions of sale supplied at www.sensata.com. SENSATA ASSUMES NO LIABILITY FOR APPLICATIONS ASSISTANCE OR THE DESIGN OF BUYERS’ PRODUCTS. BUYER ACKNOWLEDGES AND AGREES THAT IT IS SOLELY RESPONSIBLE FOR COMPLIANCE WITH ALL LEGAL, REGULATORY, AND SAFETY-RELATED REQUIREMENTS CONCERNING ITS PRODUCTS, AND ANY USE OF SENSATA COMPONENTS IN ITS APPLICATIONS, NOTWITHSTANDING ANY APPLICATIONS-RELATED INFORMATION OR SUPPORT THAT MAY BE PROVIDED BY SENSATA.

Mailing Address: Sensata Technologies, Inc., 529 Pleasant Street, Attleboro, MA 02703, USA

CONTACT US

Regional head offices:

United States of America

Sensata Technologies

Attleboro, MA

Phone: 508-236-3800

E-mail: support@sensata.com

Netherlands

Sensata Technologies Holland B.V.

Hengelo

Phone: +31 74 357 8000

E-mail: support@sensata.com

China

Sensata Technologies China Co., Ltd.

Shanghai

Phone: +8621 2306 1500

E-mail: support@sensata.com

Copyright © 2023 Sensata Technologies, Inc.