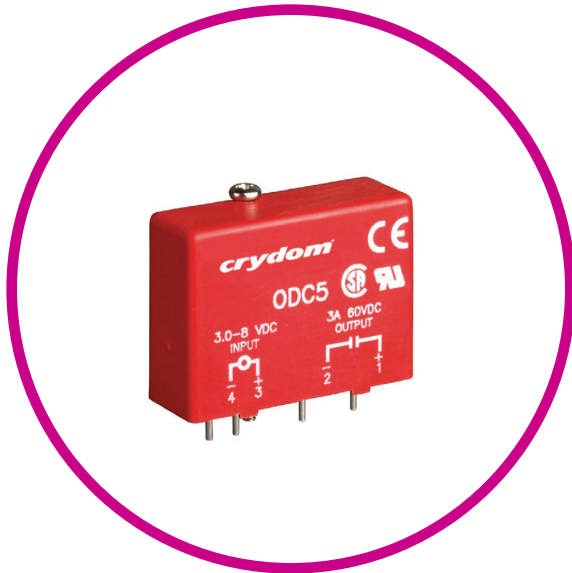




STANDARD SERIES | OUTPUT MODULES

DIGITAL I/O MODULES



Features

- AC Modules have High Current Thyristors with 100 Amp Surge Capability
- Plug into mounting boards for 0.6" modules
- Zero or Random Turn-On Available in AC Modules
- 4kV Optical isolation (1500 VAC Isolation for FET DC Output Modules)
- UL Recognized, CSA Certified CE Compliant
- Industry standard packaging and Color Coding Black (AC Output) Red (DC Output)

SPECIFICATIONS

Output ⁽¹⁾

Part Number	OAC5	OAC5A	OAC5AH	OAC5R	OAC24	OAC24A
Nominal Line Voltage	120 VAC	240 VAC	240 VAC	120 VAC	120 VAC	240 VAC
Minimum Line Voltage	12 VAC	24 VAC	24 VAC	12 VAC	12 VAC	24 VAC
Maximum Line Voltage	140 VAC	280 VAC	280 VAC	140 VAC	140 VAC	280 VAC
Max Off-State Voltage ⁽⁵⁾	400 Vpeak	600 Vpeak	600 Vpeak	400 Vpeak	400 Vpeak	600 Vpeak
Max Off-State Leakage ⁽⁶⁾	0.1mArms	0.1mArms	0.1mArms	0.1mArms	0.1mArms	0.1mArms
Static Off-State dv/dt ⁽⁷⁾	200 V/usec	200 V/usec	200 V/usec	200 V/usec	200 V/usec	200 V/usec
Maximum Rated On-State Current ⁽⁸⁾	3.5 Arms	3.5 Arms	5.0 Arms	3.5 Arms	3.5 Arms	3.5 Arms
Max Surge Current ⁽⁹⁾	100 Apeak	100 Apeak	100 Apeak	100 Apeak	100 Apeak	100 Apeak
On-State Voltage Drop or Resistance ⁽¹⁰⁾	1.6 V	1.6 V	1.6 V	1.6 V	1.6 V	1.6 V
Maximum Turn-On Time [msec] ⁽¹³⁾	8.33	8.33	8.33	0.1	8.33	8.33
Maximum Turn-Off Time [msec] ⁽¹³⁾	8.33	8.33	8.33	8.33	8.33	8.33
Input/Output Isolation Voltage ⁽¹⁴⁾	4000 Vrms	4000 Vrms	4000 Vrms	4000 Vrms	4000 Vrms	4000 Vrms
Input/Output Capacitance	8 pF	8 pF	8 pF	8 pF	8 pF	8 pF
Operating Temperature Range	-30 to 80°C	-30 to 80°C	-30 to 80°C	-30 to 80°C	-30 to 80°C	-30 to 80°C
Storage Temperature Range	-40 to 80°C	-40 to 80°C	-40 to 80°C	-40 to 80°C	-40 to 80°C	-40 to 80°C
Line Frequency Range	47 to 63 Hz	47 to 63 Hz	47 to 63 Hz	47 to 63 Hz	47 to 63 Hz	47 to 63 Hz
Weight	1.1 oz. (31.2g)	1.1 oz. (31.2g)	1.1 oz. (31.2g)	1.1 oz. (31.2g)	1.1 oz. (31.2g)	1.1 oz. (31.2g)

Part Number	ODC5	ODC5A	ODC5F	ODC5ML	ODC24	ODC24A
Nominal Line Voltage	4-48 VAC	5-150 VAC	5-48 VDC	5-48 VDC	5-48 VDC	5-150 VDC
Minimum Line Voltage	3.0 VDC	3.0 VDC	3.0 VDC	1.0 VDC	3.0 VDC	3.0 VDC
Maximum Line Voltage	60 VDC	250 VDC	60 VDC	50 VDC	60 VDC	250 VDC
Max Off-State Voltage ⁽⁵⁾	60 VDC	250 VDC	60 VDC	60 VDC	250 VDC	60 VDC
Max Off-State Leakage ⁽⁶⁾	10 µA	10 µA	10 µA	10 µA	10 µA	10 µA
Static Off-State dv/dt ⁽⁷⁾	N/A	N/A	N/A	N/A	N/A	N/A
Maximum Rated On-State Current ⁽⁸⁾	3.0 A	1.0 A	3.0 A	5.0 A	3.0 A	1.0 A
Max Surge Current ⁽⁹⁾	5.0 A	5.0 A	5.0 A	10 A	5.0 A	5.0 A
On-State Voltage Drop or Resistance ⁽¹⁰⁾	1.5 V	1.5 V	1.5 V	0.05 Ohms	1.5 V	1.5 V
Maximum Turn-On Time [msec] ⁽¹³⁾	0.1	0.1	0.025	1.0	0.1	0.1
Maximum Turn-Off Time [msec] ⁽¹³⁾	0.75	0.75	0.05	0.5	0.75	0.75
Input/Output Isolation Voltage ⁽¹⁴⁾	4000 Vrms	4000 Vrms	4000 Vrms	1500 Vrms	4000 Vrms	4000 Vrms
Input/Output Capacitance	8 pF	8 pF	8 pF	8 pF	8 pF	8 pF
Operating Temperature Range	-30 to 80°C	-30 to 80°C	-30 to 80°C	-30 to 80°C	-30 to 80°C	-30 to 80°C
Storage Temperature Range	-40 to 80°C	-40 to 80°C	-40 to 80°C	-40 to 80°C	-40 to 80°C	-40 to 80°C
Line Frequency Range	DC	DC	DC	DC	DC	DC
Weight	1.1 oz. (31.2g)	1.1 oz. (31.2g)	1.1 oz. (31.2g)	1.1 oz. (31.2g)	1.1 oz. (31.2g)	1.1 oz. (31.2g)

Input⁽¹⁾

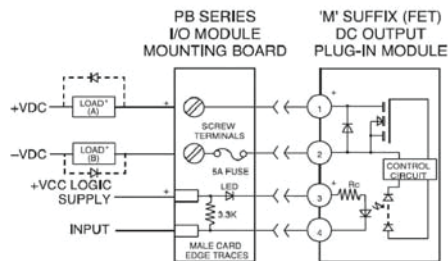
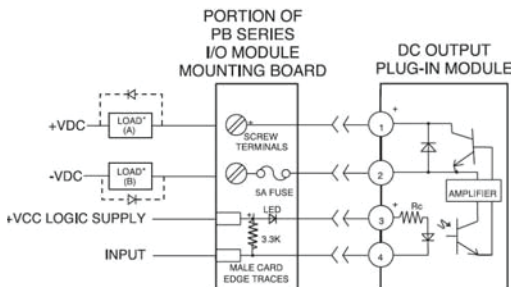
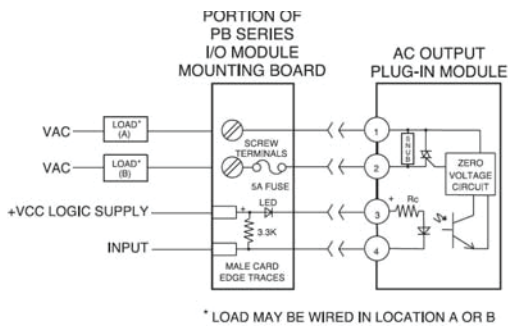
Part Number	OAC5	OAC5A	OAC5AH	OAC5R	OAC24	OAC24A
Nominal Voltage [VDC]	5.0	5.0	5.0	5.0	24	24
Nominal Voltage [VDC] ⁽²⁾	2.75	2.75	2.75	2.75	18	18
Maximum Voltage [VDC]	8.0	8.0	8.0	8.0	32	32
Drop-Out Voltage [VDC]	1.0	1.0	1.0	1.0	1.0	1.0
Maximum Current [mA] ⁽³⁾	20	20	20	20	13	13
Resistance [Ohms] ⁽⁴⁾	220	220	220	220	2000	2000

Part Number	ODC5	ODC5A	ODC5F	ODC5ML	ODC24	ODC24A
Nominal Voltage [VDC]	5.0	5.0	5.0	5.0	24	24
Nominal Voltage [VDC] ⁽²⁾	2.75	2.75	2.75	2.75	18	18
Maximum Voltage [VDC]	8.0	8.0	8.0	8.0	32	32
Drop-Out Voltage [VDC]	1.0	1.0	1.0	1.0	1.0	1.0
Maximum Current [mA] ⁽³⁾	18	18	18	18	13	13
Resistance [Ohms] ⁽⁴⁾	250	250	250	250	2000	2000

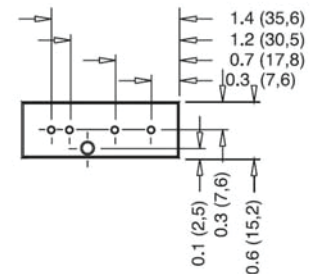
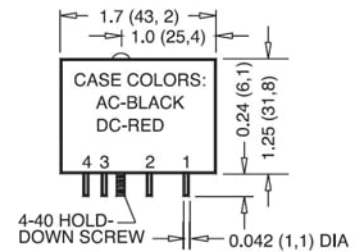
GENERAL NOTES

- (1) Specifications apply to an ambient temperature of -30 to 80 °C unless otherwise noted
- (2) Without external LED status indicator. Add 1.7 volts for external LED if utilized.
- (3) At nominal input voltage, without external LED status indicator
- (4) +/-10% at 25°C.
- (5) Maximum 1 minute duration for OACmodules when applied as a DCvoltage rather than a peak ACvoltage.
- (6) At maximum line voltage, 25°Cfor OACmodules, and 80°Cfor ODCmodules
- (7) Minimum DV/DTper EIA/NARM RS433, method RS397, DV/DTratings do not apply to DCoutput models.
- (8) At 40°C, derate OACmodules 58 mA/°Cto 80°C, derate ODC. ODCxMCand ODCxML modules 50 mA/°C to 80°C. CSA rating of OACmodules is 3.0 Arms at 40°C
- (9) At 25°Cfor 1 second maximum duration: 1 ACcycle for ACmodules, 1 second for DCmodules
- (10) At maximum rated on-state current and 25°C.
- (11) At maximum line voltage, maximum rated output current, nominal input voltage and 25°C. Switching speed of OACmodules is based upon 60 Hz line frequency
- (12) At 25°Cfor 1 second maximum duration
- (13) 1/3 H.P. at 240 VAC, 1/8 H.P. at 120 VAC.
- (14) At 25°C for 1 second maximum duration

EQUIVALENT CIRCUIT BLOCK AND WIRING DIAGRAMS



* LOAD MAY BE WIRED IN LOCATION A OR B
DC INDUCTIVE LOADS MUST BE DIODE SUPPRESSED TO PREVENT DAMAGE TO THE I/O MODULE.



DIMENSIONS: INCHES (MILLIMETERS)
TOLERANCE: ±0.020 (±0,50)

AGENCY APPROVALS & CERTIFICATIONS



E46203



38595



WARNINGS



RISK OF MATERIAL DAMAGE AND HOT ENCLOSURE

- The product's side panels may be hot, allow the product to cool before touching
- Follow proper mounting instructions including torque values
- Do not allow liquids or foreign objects to enter this product

Failure to follow these instructions can result in serious injury, or equipment damage.



HAZARD OF ELECTRIC SHOCK, EXPLOSION OR ARC FLASH

- Disconnect all power before installing or working with this equipment
- Verify all connections and replace all covers before turning on power

Failure to follow these instructions will result in death or serious injury.

Datasheets provided by Sensata Technologies, Inc., its subsidiaries and/or affiliates ("Sensata") are solely intended to assist third parties ("Buyers") who are developing systems that incorporate Sensata products (also referred to herein as "components"). Buyer understands and agrees that Buyer remains responsible for using its independent analysis, valuation, and judgment in designing Buyer's systems and products. Sensata datasheets have been created using standard laboratory conditions and engineering practices. Sensata has not conducted any testing other than that specifically described in the published documentation for a particular datasheet. Sensata may make corrections, enhancements, improvements, and other changes to its datasheets or components without notice.

Buyers are authorized to use Sensata datasheets with the Sensata component(s) identified in each particular datasheet. HOWEVER, NO OTHER LICENSE, EXPRESS OR IMPLIED, BY ESTOPPEL OR OTHERWISE TO ANY OTHER SENSATA INTELLECTUAL PROPERTY RIGHT, AND NO LICENSE TO ANY THIRD PARTY TECHNOLOGY OR INTELLECTUAL PROPERTY RIGHT, IS GRANTED HEREIN. SENSATA DATASHEETS ARE PROVIDED "AS IS". SENSATA MAKES NO WARRANTIES OR REPRESENTATIONS WITH REGARD TO THE DATASHEETS OR USE OF THE DATASHEETS, EXPRESS, IMPLIED, OR STATUTORY, INCLUDING ACCURACY OR COMPLETENESS. SENSATA DISCLAIMS ANY WARRANTY OF TITLE AND ANY IMPLIED WARRANTIES OF MERCHANTABILITY, FITNESS FOR A PARTICULAR PURPOSE, QUIET ENJOYMENT, QUIET POSSESSION, AND NON-INFRINGEMENT OF ANY THIRD PARTY INTELLECTUAL PROPERTY RIGHTS WITH REGARD TO SENSATA DATASHEETS OR USE THEREOF.

All products are sold subject to Sensata's terms and conditions of sale supplied at www.sensata.com. SENSATA ASSUMES NO LIABILITY FOR APPLICATIONS ASSISTANCE OR THE DESIGN OF BUYERS' PRODUCTS. BUYER ACKNOWLEDGES AND AGREES THAT IT IS SOLELY RESPONSIBLE FOR COMPLIANCE WITH ALL LEGAL, REGULATORY, AND SAFETY-RELATED REQUIREMENTS CONCERNING ITS PRODUCTS, AND ANY USE OF SENSATA COMPONENTS IN ITS APPLICATIONS, NOTWITHSTANDING ANY APPLICATIONS-RELATED INFORMATION OR SUPPORT THAT MAY BE PROVIDED BY SENSATA.

Mailing Address: Sensata Technologies, Inc., 529 Pleasant Street, Attleboro, MA 02703, USA

CONTACT US

Americas

+1 (877) 502 5500 – Option 2
sales.crydom@sensata.com

Europe, Middle East & Africa

+44 (1202) 416170
ssr-info.eu@sensata.com

Asia Pacific

sales.isasia@list.sensata.com
China +86 (21) 2306 1500
Japan +81 (45) 277 7117
Korea +82 (31) 601 2004
India +91 (80) 67920890
Rest of Asia +886 (2) 27602006
ext 2808